

**RP359 Series 3Ph Delta Compact, Multi-Stage, High Current EMI Filter**

**RP359  
3PH DELTA WITH BUSBARS  
320A – 2500A  
INVERTER APPLICATIONS**

ROHS COMPLIANT

**Specifications**

Operating Frequency: DC - 60Hz  
 Operating Voltage: 520VAC (480V +10%)  
 Ambient Temperature: 50°C  
 Inrush Rating: 4x at Turn on  
 Climatic Category: 25/100/21  
 Hipot Rating: 3500VDC (P/N - E)  
 Terminations: Cu BusBars  
 Applications: Inverters / Machinery / Industrial  
 Grid-tied Inverters, Solar Inverters

**Part Number / Ordering**

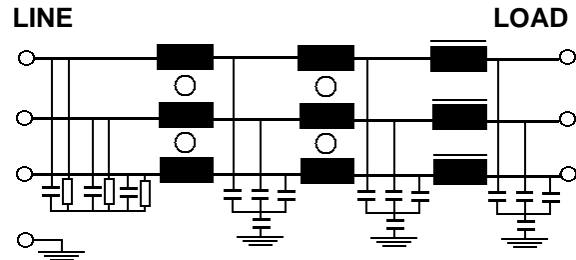
RP359	-X (Amps)	-Y (Ycap, nF)
	320	10
	400	22
	600	100
	800	470
	1000	1000
	1600	2200
	2500	

Note: Use any -Y (Ycap) with any -X (Amps) rating  
 e.g. RP359-600-100-S (600A & 100nF y-cap)

**Leakage Current**

Ycap, nF	mA, 480V/50HZ
10	.09
22	.2
100	0.9
470	4
1000	9
2200	22

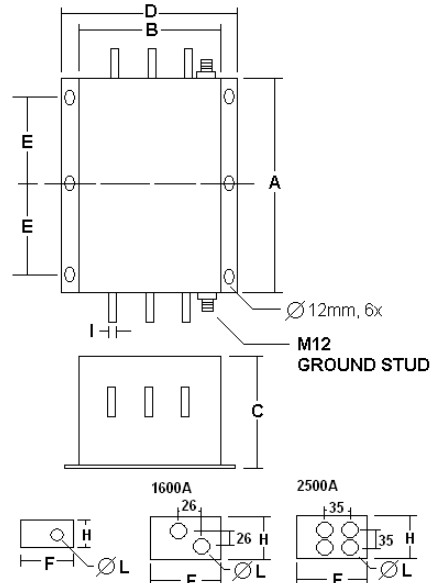
**Schematic**



**Typical Insertion Loss. 50/50 ohm**

FREQ(MHz)	.15	.5	1	10	30
CM, dB	65	80	80	40	20
DM, dB	65	65	60	35	20

**Mechanicals**



I	A	B	C	D	E	F	L	H	I
320	300	210	115	260	120	40	10.5	25	6
400	300	210	115	260	120	40	10.5	25	6
600	300	210	135	260	120	40	10.5	25	6
800	350	230	170	280	145	50	14	40	8
1000	350	230	170	280	145	50	14	40	8
1600	400	250	160	300	170	90	14	60	10
2500	600	300	200	370	250	95	14	70	15

Dimensions shown for reference only.  
 Specifications subject to change.

**RADIUS POWER**  
 Standard & Custom Products

www.radiuspower.com  
 PH 714-289-0055  
 FAX 714-289-214