

RPC1299-30

30 Amp Dual Stage PCB DC Filter

RPC1299-30
 HIGH CURRENT/HIGH
 PERFORMANCE
 COMPACT PCB DC FILTER FOR
 -48VDC TELECOM / DC-DC
 CONVERTERS AND RELATED
 APPLICATIONS

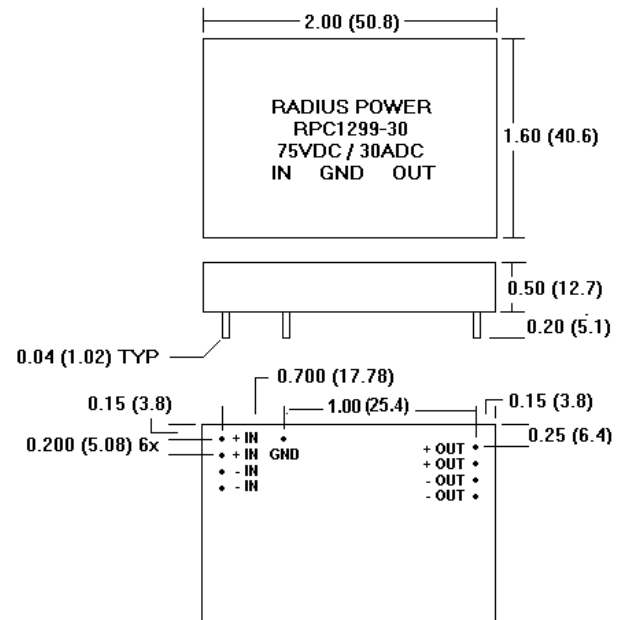
ROHS COMPLIANT



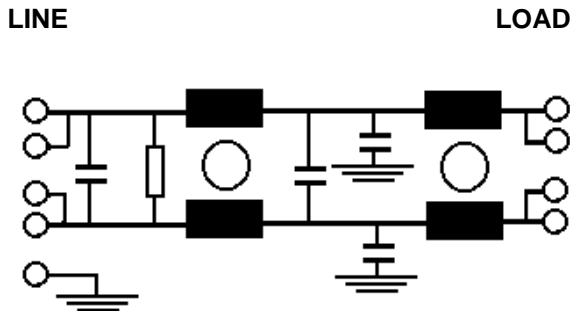
Specifications

- Operating Freq.: DC
- Max Operating Voltage: 75VDC
- Max Operating Current: 30ADC
- Operating Case Temperature: -40°C to 100°C
- Storage Temperature: -55°C to 125°C
- DC Resistance / Line: 1.25mohm typical
- Hipot Rating: 2500VDC (P/N - E)
- Safety Approvals: UL/CSA (EN60950)

Mechanicals



Schematic



Typical Insertion Loss, 50/50ohm

FREQ(MHz)	.15	.5	1	10	30
CM, dB	12	30	42	55	45
DM, dB	10	32	44	50	60

Dimensions shown for reference only.
 Specifications subject to change.

RADIUS POWER
 Standard & Custom Products

www.radiuspower.com
 PH 714-289-0055
 FAX 714-289-214